



Current Transformer

Model IED5T
rev 032916

CERTIFICATIONS:



APPLICATION:

Metering

FREQUENCY:

50/60 Hz.

INSULATION LEVEL:

720 Volts. 10 kV BIL. full wave

APPROXIMATE WEIGHT:

1.5 kg

CONNECTIONS:

Secondary terminals screw clamp up to 10mm² cable. 'Fast on' 6.3mm type. Integral Terminal Cover IP20B

ENCLOSURE CODE:

IP40

INSULATION CLASS:

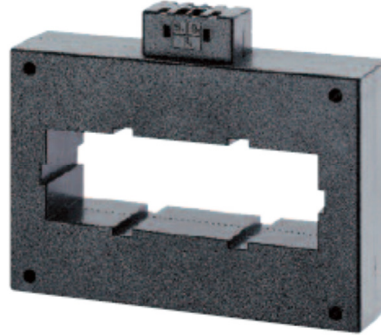
Class E BS2757 IEC85

COMPLIES WITH / APPROVALS:

IEC60044-1:2003 / BSEN61010-1, EN60044-1

MOUNTING HARDWARE OPTION:

Order p/n: IED5T-FIXING-KIT



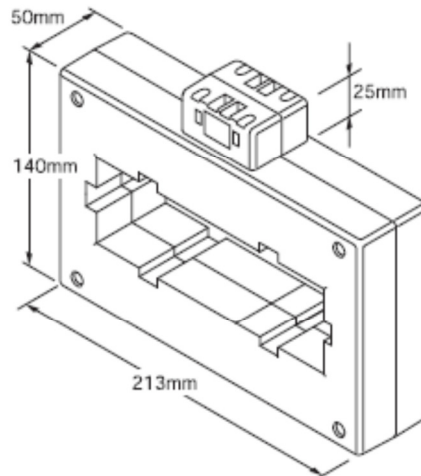
Model	IED5T
Window Size	160 x 50mm
Width	213mm
Height	140mm
Depth	50mm

MODEL IED5T

CATALOG NUMBER	CURRENT RATIO	VA at Class 3	VA at Class 1	VA at Class 0.5
IED5T-1600/5	1600:5	45	30	20
IED5T-2000/5	2000:5	45	30	20
IED5T-2500/5	2500:5	60	45	30
IED5T-3000/5	3000:5	60	45	30
IED5T-3200/5	3200:5	60	45	30
IED5T-4000/5	4000:5	60	45	30
IED5T-5000/5	5000:5	60	45	30
IED5T-6000/5	6000:5	60	45	30

Note: Change the end suffix to depict required secondary. For example IED5T-3200/1.

DIMENSIONS



Products are manufactured in a plant whose quality management system is certified / registered as being in conformity with ISO 9001