



Current Transformer

Model IEA5Y

rev 032916

CERTIFICATIONS:



APPLICATION:

Metering

FREQUENCY:

50/60 Hz.

INSULATION LEVEL:

720 Volts. 10 kV BIL. full wave

APPROXIMATE WEIGHT:

0.45 kg

CONNECTIONS:

Secondary terminals screw clamp up to 10mm² cable. 'Fast on' 6.3mm type. Integral Terminal Cover IP20B

ENCLOSURE CODE:

IP40

INSULATION CLASS:

Class E BS2757 IEC85

COMPLIES WITH / APPROVALS:

IEC60044-1:2003 / BSEN61010-1, EN60044-1

MOUNTING HARDWARE OPTION:

Order p/n: IEA5Y-FIXING-KIT



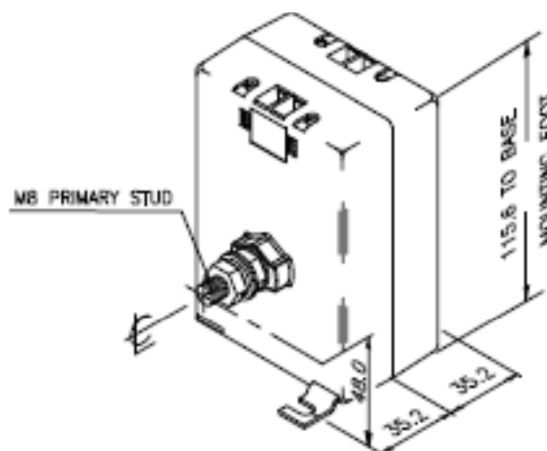
Model	IEA5Y
Window Size	20 x 6mm 21mm diameter
Width	45mm
Height	65mm
Depth	30mm

MODEL IEA5Y

CATALOG NUMBER	CURRENT RATIO	VA at Class 3	VA at Class 1
IEA5Y-1/5	1:5	7.5	5
IEA5Y-5/5	5:5	7.5	5
IEA5Y-10/5	10:5	7.5	5
IEA5Y-15/5	15:5	7.5	5
IEA5Y-20/5	20:5	7.5	5
IEA5Y-30/5	30:5	7.5	5
IEA5Y-40/5	40:5	7.5	5

Note: Change the end suffix to depict required secondary. For example IEA5Y-30/1.

DIMENSIONS



Products are manufactured in a plant whose quality management system is certified / registered as being in conformity with ISO 9001