



Current Transformer

Model IE65F

rev 032916

CERTIFICATIONS:



APPLICATION:

Metering

FREQUENCY:

50/60 Hz.

INSULATION LEVEL:

720 Volts. 10 kV BIL. full wave

APPROXIMATE WEIGHT:

0.40 kg

CONNECTIONS:

Secondary terminals screw clamp up to 10mm² cable. 'Fast on' 6.3mm type. Integral Terminal Cover IP20B

ENCLOSURE CODE:

IP40

INSULATION CLASS:

Class E BS2757 IEC85

COMPLIES WITH / APPROVALS:

IEC60044-1:2003 / BSEN61010-1, EN60044-1

MOUNTING HARDWARE OPTION:

Order p/n: IE65F-FIXING-KIT



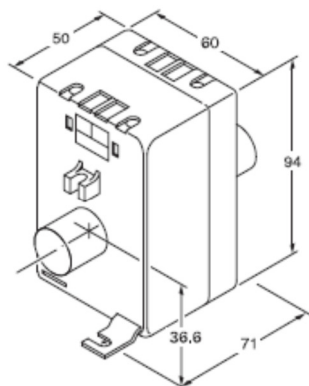
Model	IE65F
Window Size	20 x 10mm 23mm diameter
Width	60mm
Height	94mm
Depth	50mm

MODEL IE65F

CATALOG NUMBER	CURRENT RATIO	VA at Class 3	VA at Class 1	VA at Class 0.5
IE65F-30/5	30:5	1.25	-	-
IE65F-40/5	40:5	2.5	-	-
IE65F-50/5	50:5	2.5	-	-
IE65F-60/5	60:5	3.75	-	-
IE65F-75/5	75:5	5	2.5	-
IE65F-80/5	80:5	5	2.5	-
IE65F-100/5	100:5	7.5	5	2.5
IE65F-125/5	125:5	7.5	5	2.5
IE65F-150/5	150:5	15	10	5
IE65F-200/5	200:5	20	15	7.5
IE65F-250/5	250:5	20	20	10
IE65F-300/5	300:5	30	30	10

Note: Change the end suffix to depict required secondary. For example IE65F-125/1.

DIMENSIONS



Products are manufactured in a plant whose quality management system is certified / registered as being in conformity with ISO 9001