

Innovation in Soft Start Technology



VMX-synergy™

Fan Replacement Guide

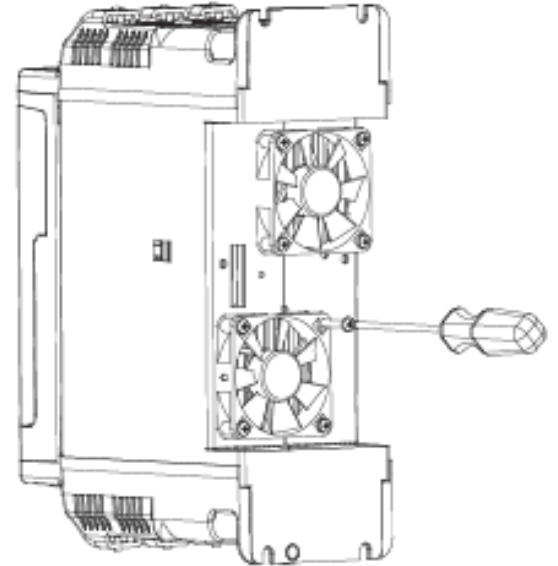
Replacement Fan Part Numbers

It is recommended that fans are replaced with the original specification fans. These are available to purchase from the your local Motortronics representative.

Caution: Any alternative fan type used may have inferior performance leading to potential overheating and damage to the VMX-Synergy™.

For **VMX-SGY-201 – VMX-SGY-205** soft starts, please check the fan voltage before contacting your local Motortronics Representative. To do this the fan must be removed to observe the voltage rating label.

- If the fan voltage is **24VDC**, please contact your local Motortronics representative to purchase the fan replacement kit detailed in the table below.
- If the fan voltage is **12VDC**, a fan replacement is not available. Please contact your local Motortronics representative to discuss a resolution.



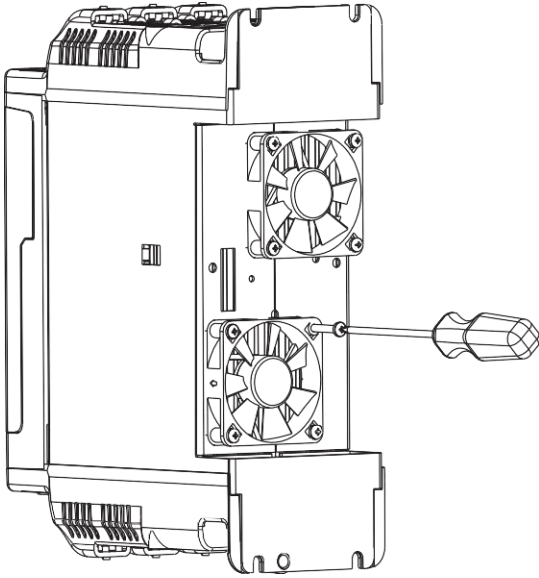
The recommended Part numbers for the replacement fans are detailed in the table below:

VMX-Synergy™ Replacement Fans		
Part Number	Description	For VMX-SGY Models
FAN-002 ⁽¹⁾	Cooling fan, replacement, for VMX-synergy™ series soft starters, 60 x 60 x 15 mm	101 to 117
FAN-003 / 024 ⁽¹⁾	Cooling fan, replacement, for VMX-synergy™ series soft starters, 80 x 80 x 15 mm.	201 to 205
FAN-007 ^{(1) (2)}	Cooling fan, replacement, for VMX-synergy™ series soft starters, 120 x 120 x 25 mm	301 to 305
FAN-008 (110V)	Cooling fan, replacement, for VMX-synergy™ series soft starters, 171 x 151 x 151 mm	307 to 309
FAN-009 (230V)	Cooling fan, replacement, for VMX-synergy™ series soft starters, 171 x 151 x 151 mm	307 to 309

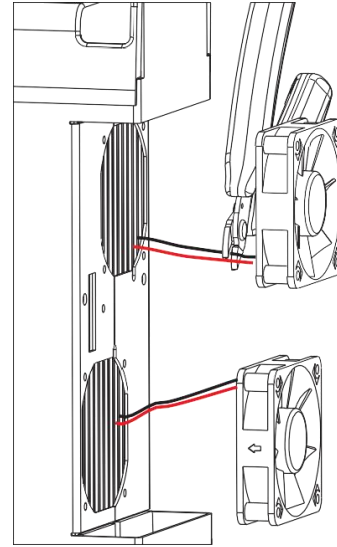
⁽¹⁾ All fans (except FAN-008 and FAN-009) require 4 butt-splice terminals (Part number - MIS-017).
⁽²⁾ FAN-007 also requires 4 push rivets (Part number MISC652).

Method 1: Fan Replacement for VMX-SGY-101 to VMX-SGY-305

1. Unscrew the fan(s) that have failed.



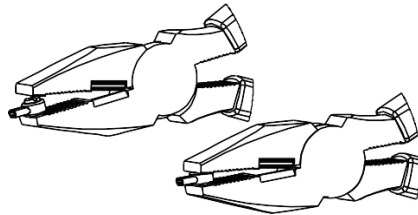
2. Cut the wires as close to the fan(s) as possible.



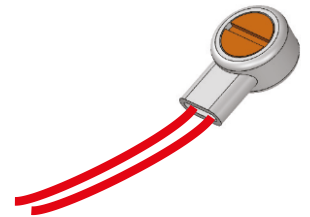
3. Fit the black wires from the new fan and the VMX-Synergy into the supplied connector.



4. Crimp the connector.

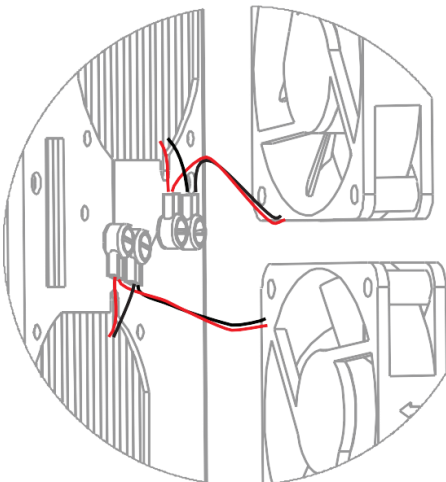


5. Repeat steps 3-4 with the red wires from the new fan and VMX-Synergy

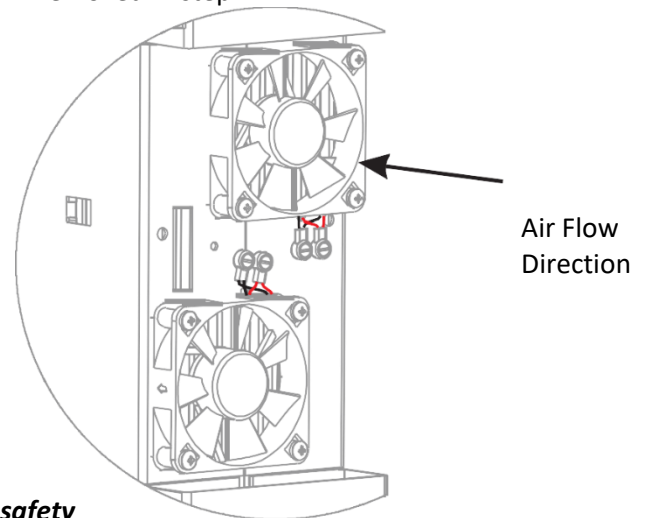


6. Repeat steps 3-5 with the second fan if required.

7. Position the fan(s) and connectors.



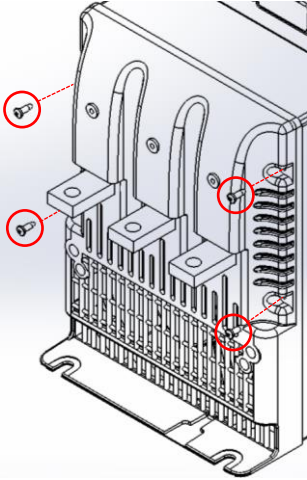
8. Fix the new fan(s) to the unit using the screws removed in step 1.



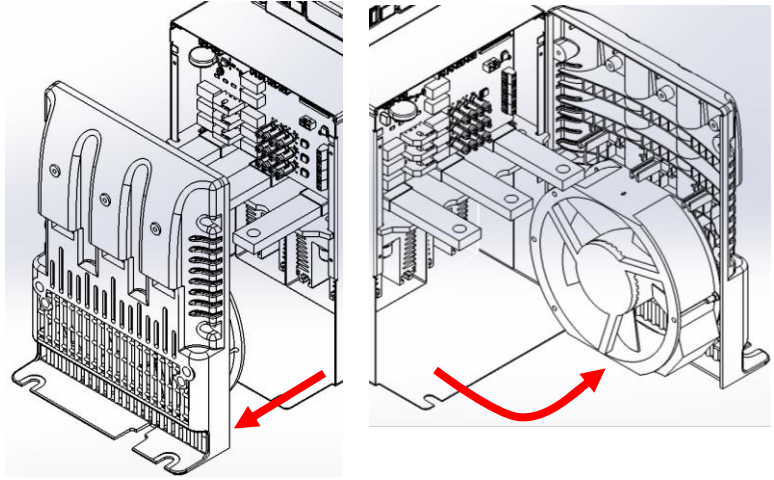
VMX-SGY-301 to VMX-SGY-305 have metal fan guards fitted for safety reasons. These must be removed before the fans can be taken off. They MUST be refitted using the supplied push rivets after the fans have been attached.

Method 2: Fan Replacement for VMX-SGY-307 to VMX-SGY-309

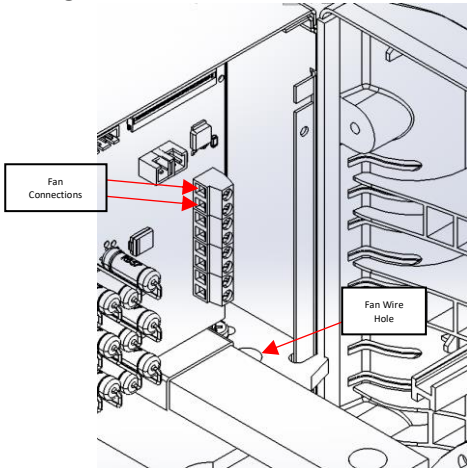
1. Remove the 4 screws from the lower case moulding.



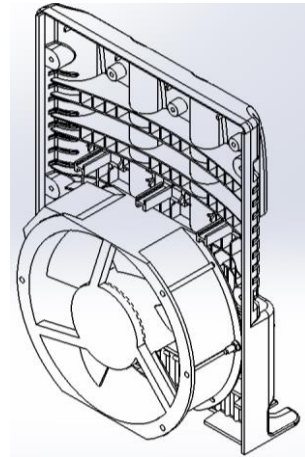
2. Slide the lower case moulding off the busbars and rotate it to the right. Ensure care is taken not to damage the fan cable.



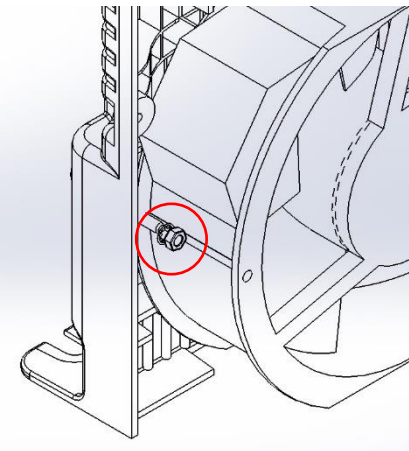
3. Disconnect the fan wires from the PCB terminal block. Feed the wires back through the fan wire hole.



4. Remove the case moulding completely from the unit.



5. Remove the M4 fixings that secure the fan (2 positions).



6. Remove the failed fan.

7. Fit the new fan.

8. Reassemble in reverse order (steps 5 -1). The Orientation of fan wires is not critical.

